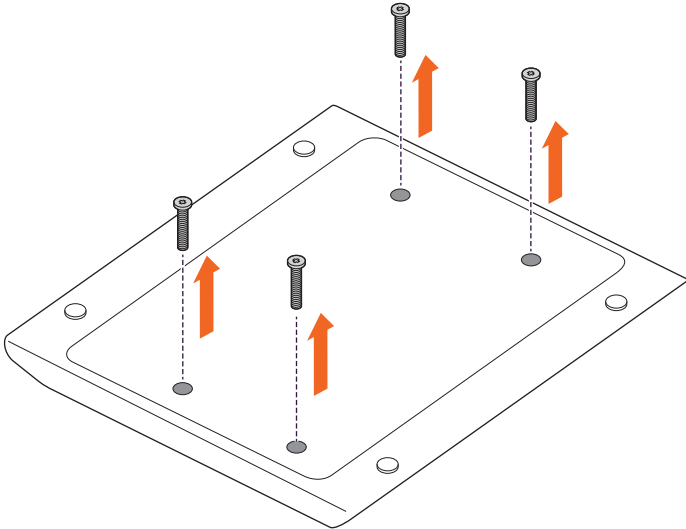


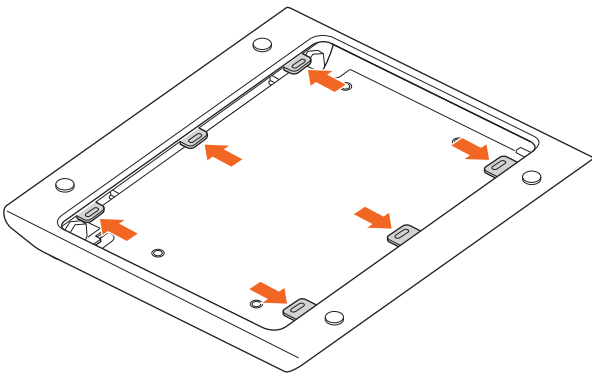
BrightSign® | HDx23

WIFI/BLEETOOTH MODULE INSTALLATION

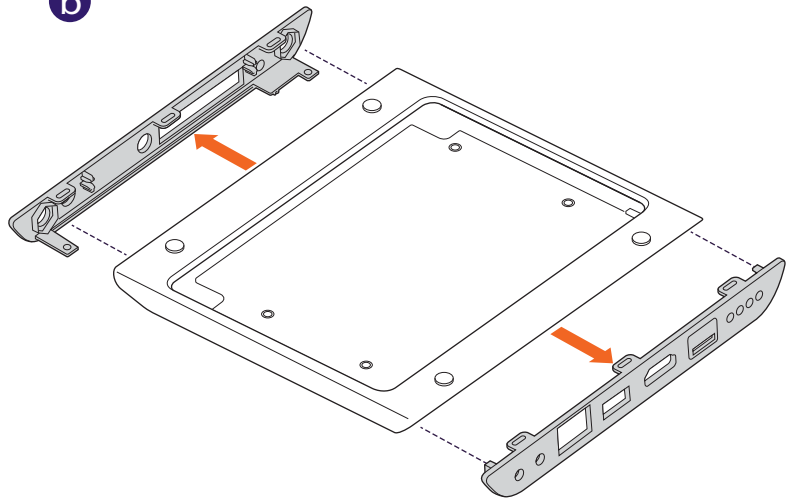
1



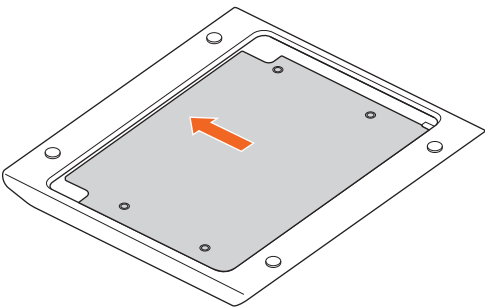
2 a



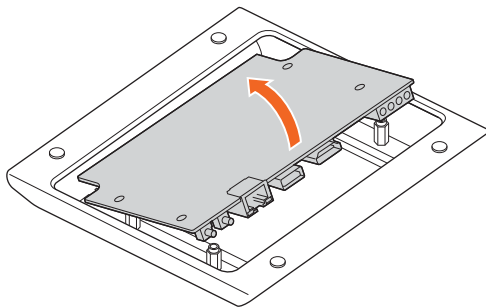
b



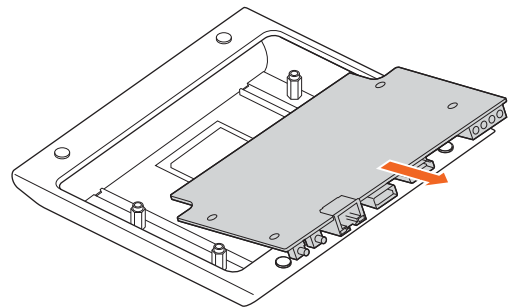
3 a



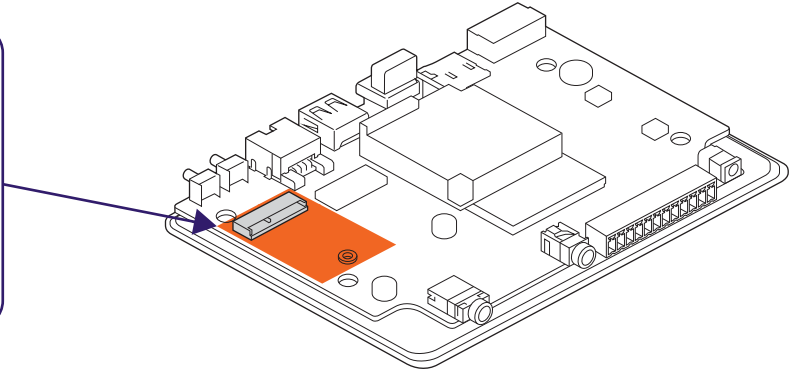
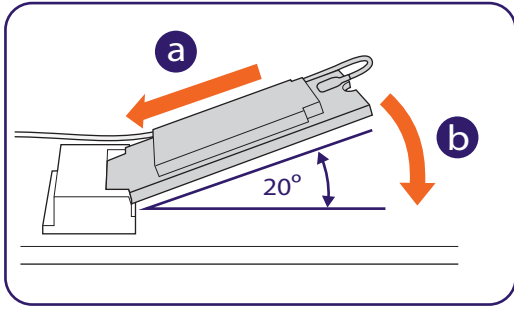
b



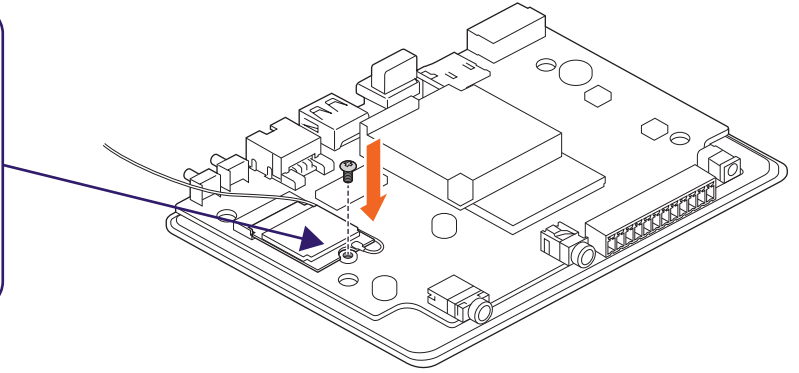
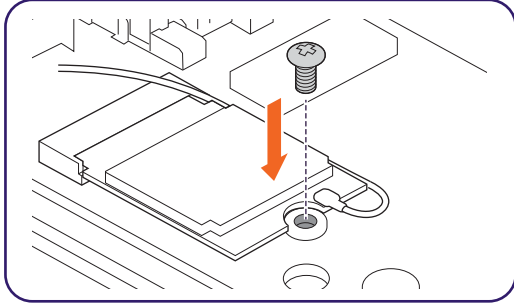
c



4

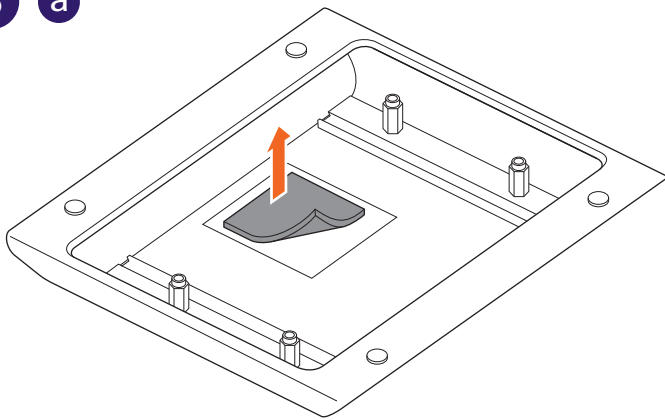


5

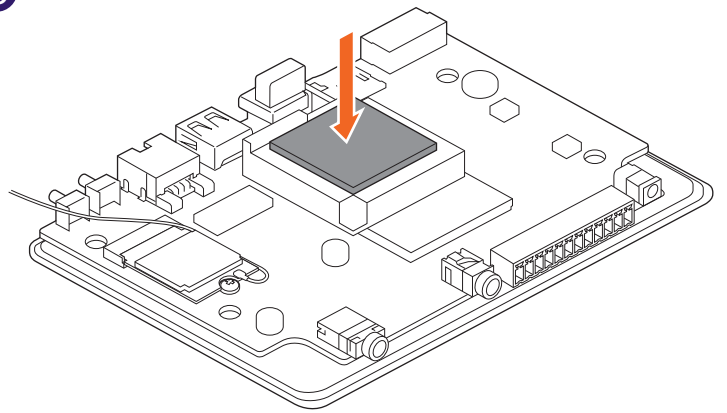


6

a

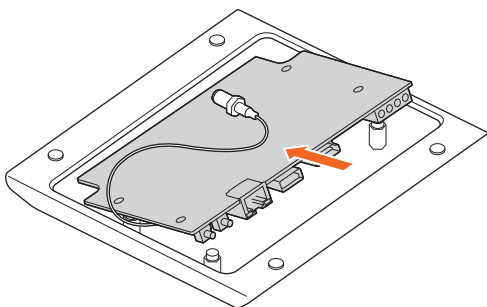


b

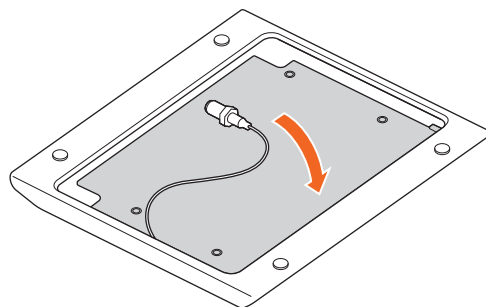


7

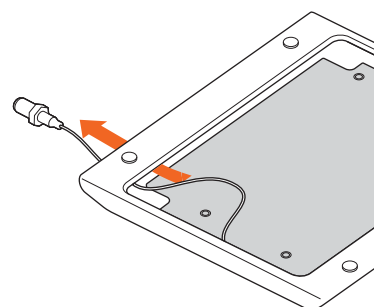
a



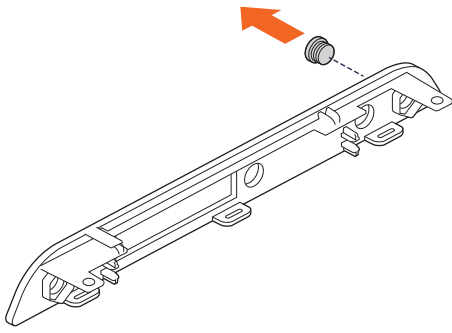
b



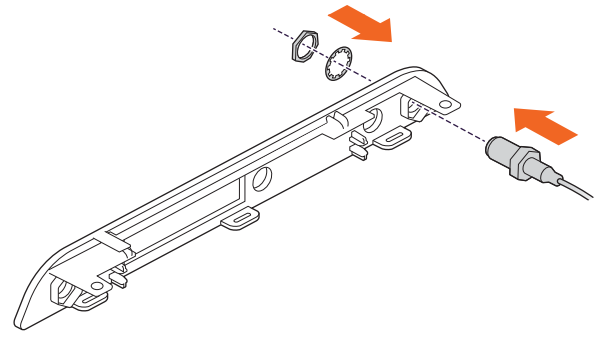
c



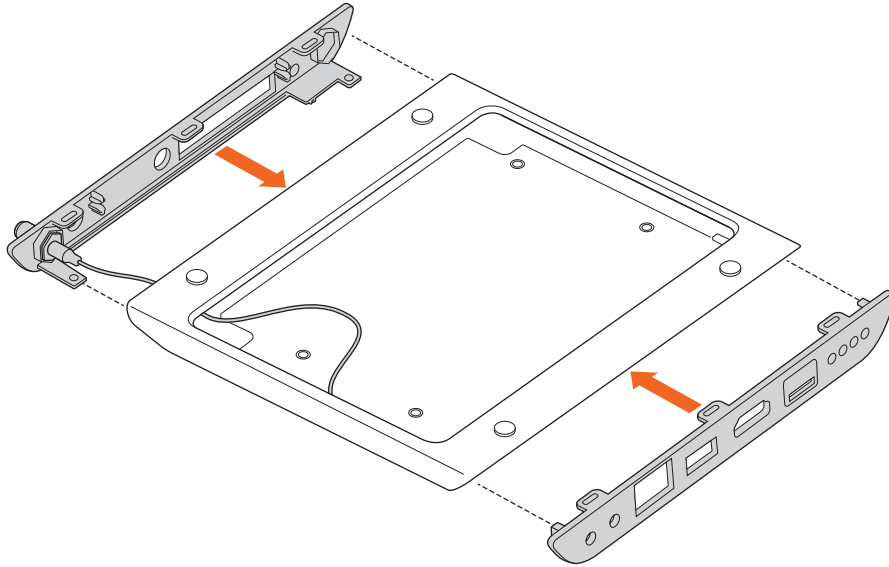
8 a



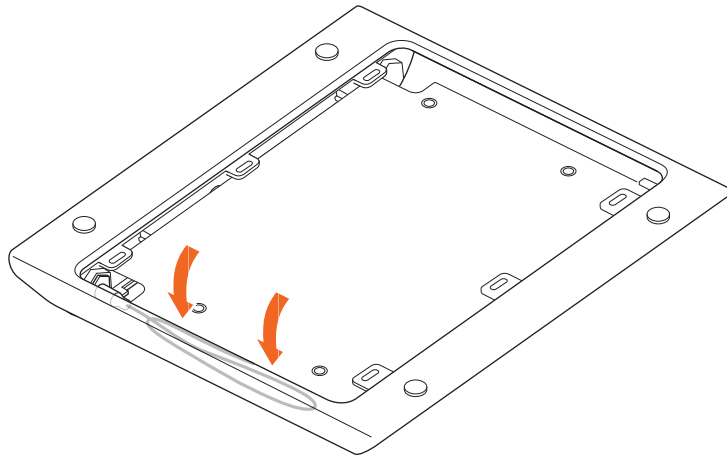
b



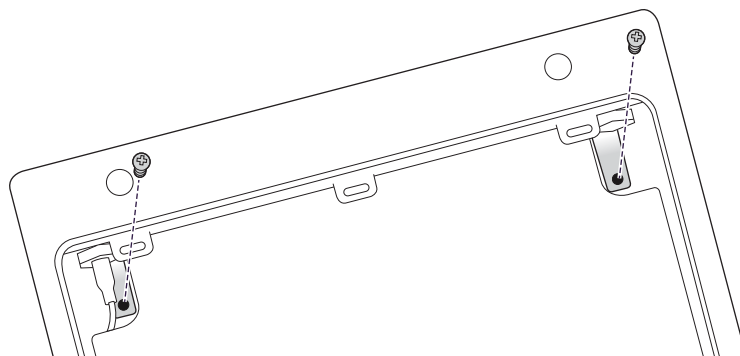
9



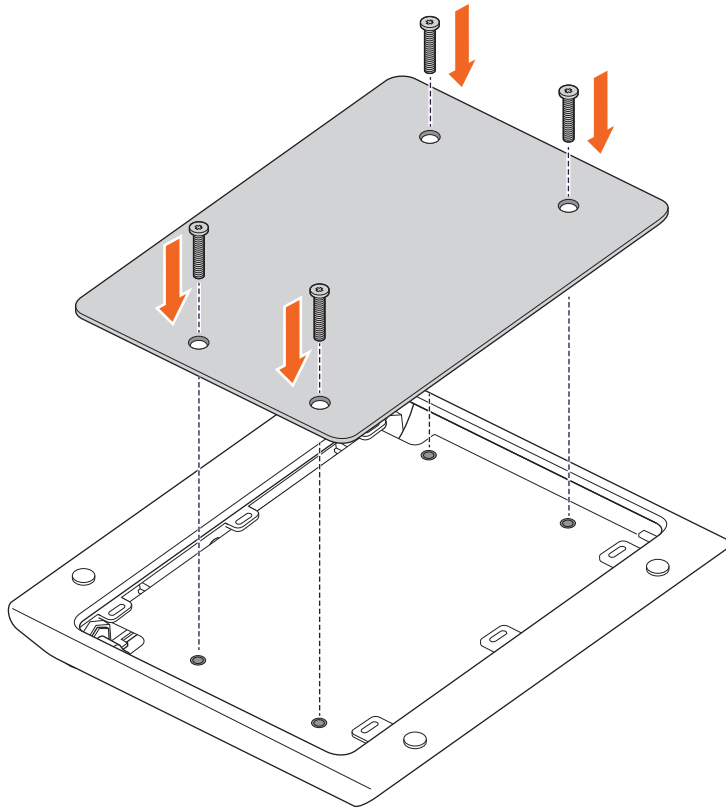
10



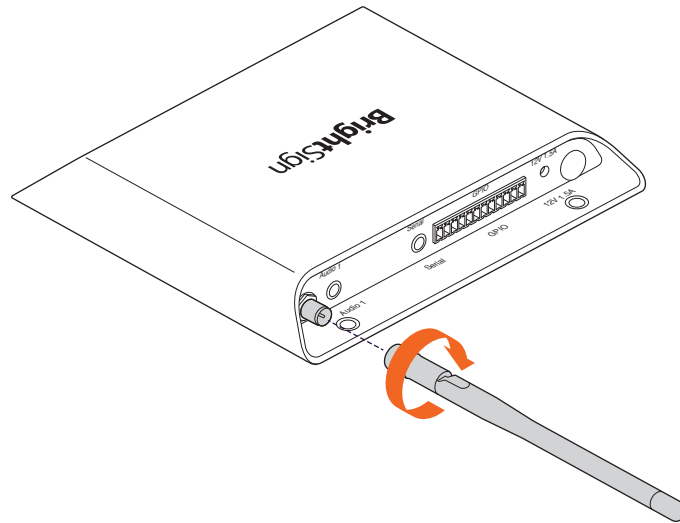
11



12



13



14

